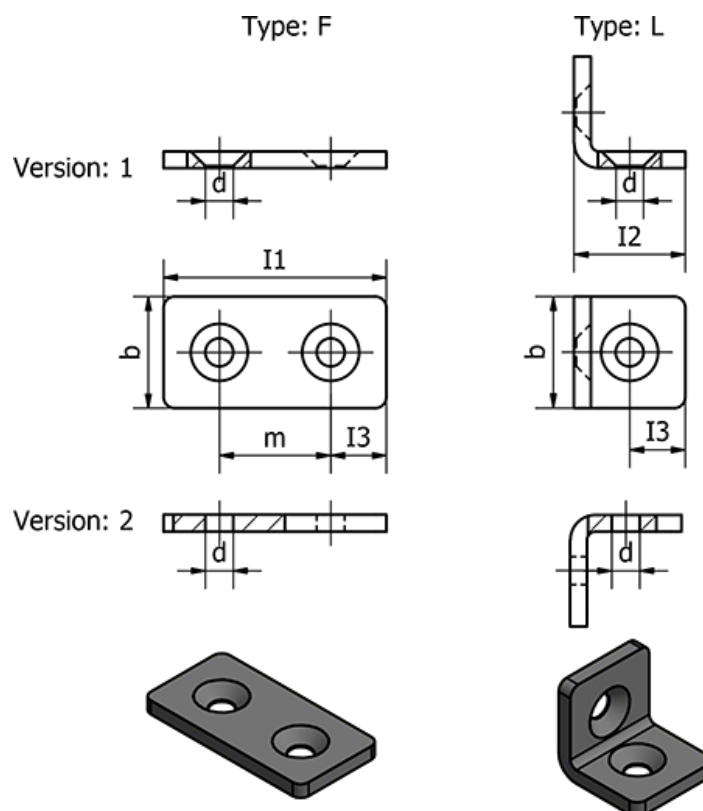


Article number: 209672040F2ZB

Description: E+G Angle pieces/Shackels - GN 967-20-40-F-2-ZB

Measures



b	= 20
d	= 5.2
I1	= 40
I2	= -
I3	= 10
m	= 20
s	= 3
Weight (g)	= 18